

SAC Pulsar V2

Data Sheet and Order Data

Version 1.7
January 18, 2018



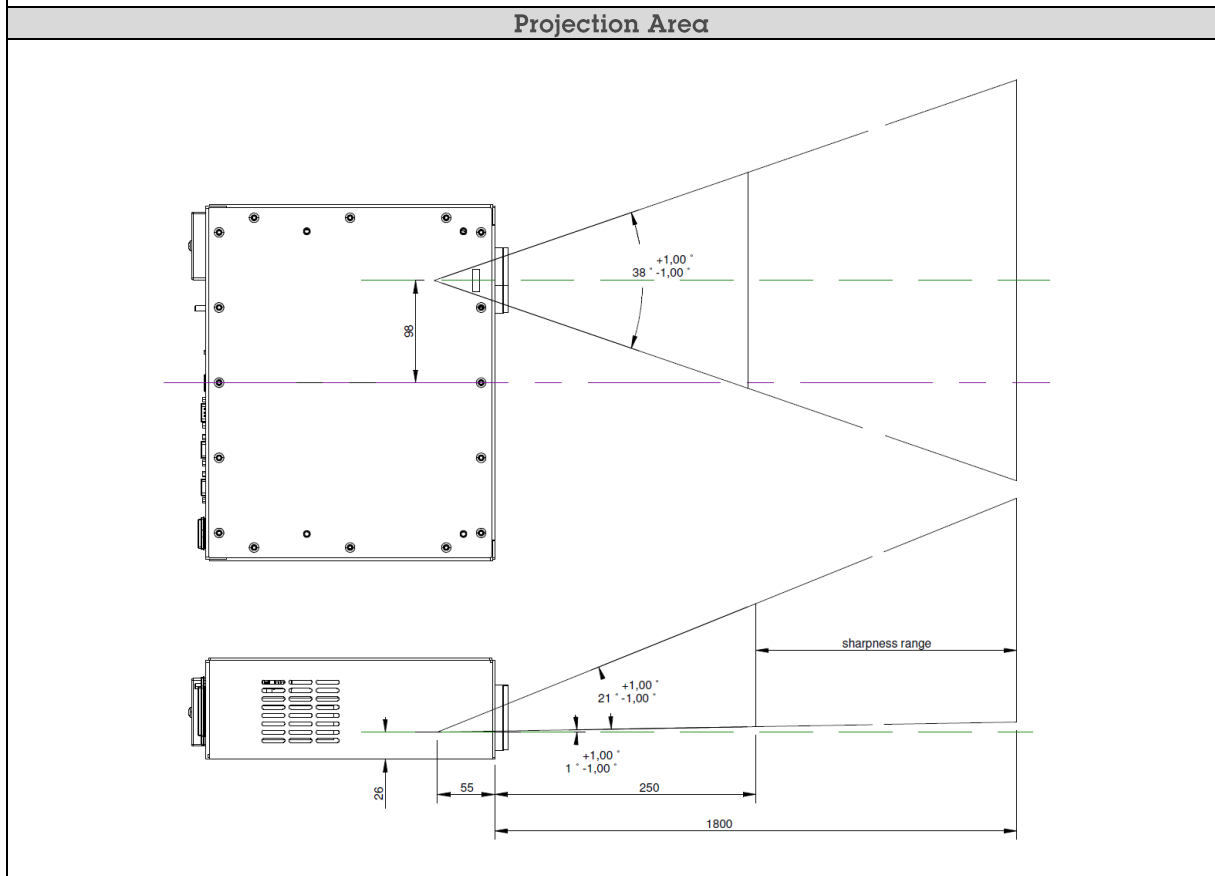
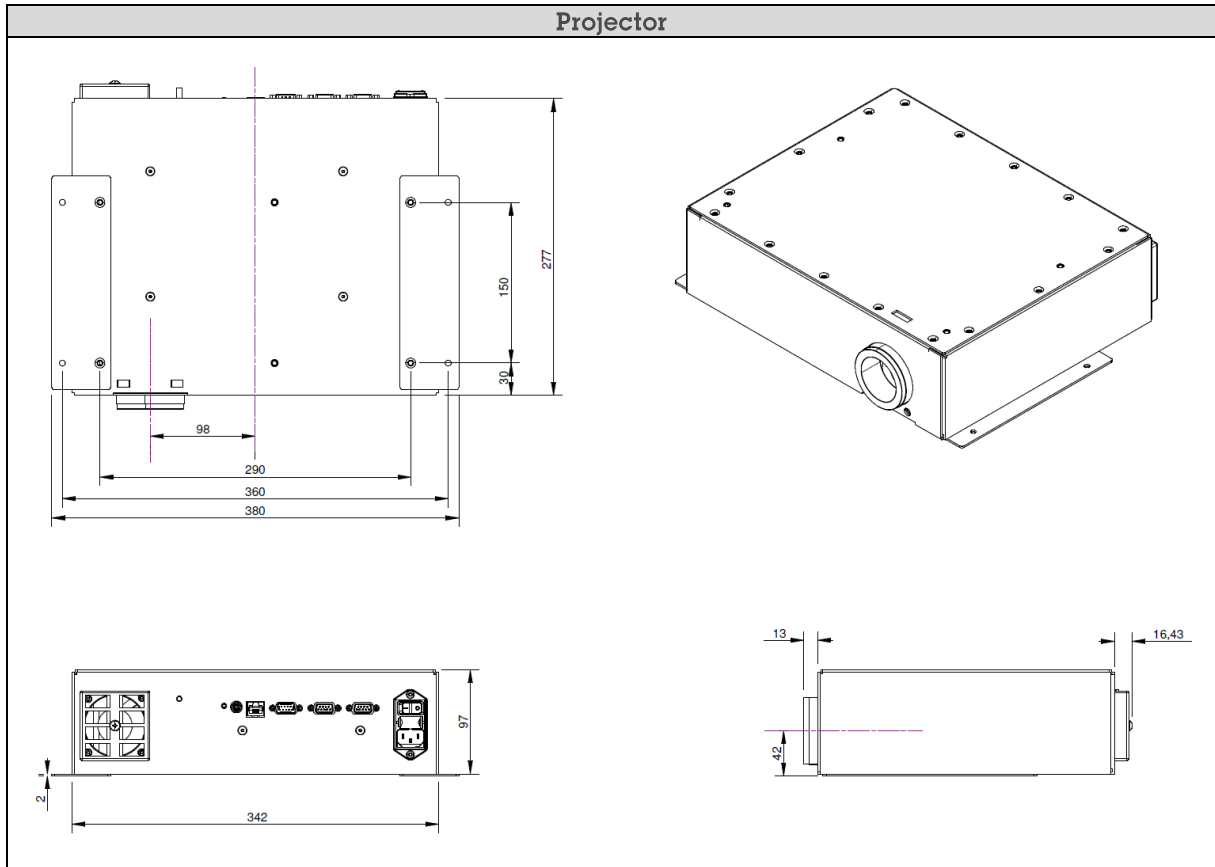
Contents

- 1 Technical Data..... 3
- 2 Dimensional Drawings..... 4
- 3 Order Data..... 5

1 Technical Data

Optical Data	
Resolution	1920 x 1080
Brightness	1000 ANSI Lumen
Operating life of the light source	15,000 h
Electrical Data	
Supply voltage	100-240 V _{ac} , 50-60 Hz
Power consumption	Max. 200 W
Protection	2 A time-lag (microfuse 5x20mm (0.20"x0.79"))
Ambient Conditions	
Temperature range	+15 °C ... +35 °C (59 °F ... 95 °F) (during operation); -10 °C ... +65 °C (14 °F ... 149 °F) (when stored)
Relative humidity	10 - 90%, non-condensing (during operation); up to 95%, non-condensing (when stored)
Replacing the air filter	The air filter must be replaced if needed, or after six months at the latest.
Electrical Interfaces	
Camera trigger 0	D-Sub 9-pin, female
Camera trigger 1	D-Sub 9-pin, female
Ethernet	100 MBit, RJ-45
RS-232	D-Sub 9-pin, male
Mechanical Data (without optics, connectors, and mount)	
Width	342 mm (13.46")
Height	97 mm (3.82")
Depth	277 mm (10.91")
Weight	Approx. 4.7 kg (10.36 lb)
Mass	
Mass / Ground / Shield	Potential of the terminal board - for applying the cable shields

2 Dimensional Drawings



3 Order Data

Pulsar V2 Projector Unit	
Product Name	SAC Part Number
SAC Pulsar V2	Sys-00403



Machine Vision for Industry

SAC Sirius Advanced Cybernetics GmbH
An der RaumFabrik 33b
76227 Karlsruhe, Deutschland
Tel.: +49 721 60 543-000
Fax: +49 721 60 543-200
E-Mail: sales@sac-vision.de